



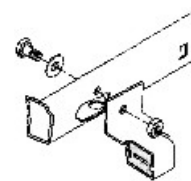
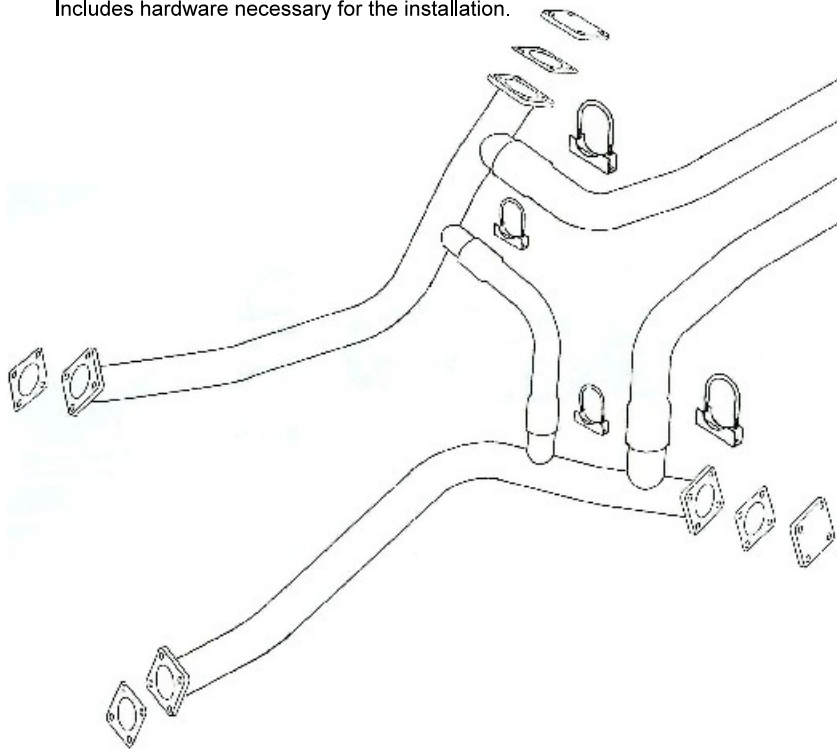
Tube Technologies Inc.  
 1555 Consumer Circle  
 Corona, CA 92880  
 (951) 371-4878  
[www.ttiexhaust.com](http://www.ttiexhaust.com)

## 1962 "B"-body Max Wedge Exhaust System

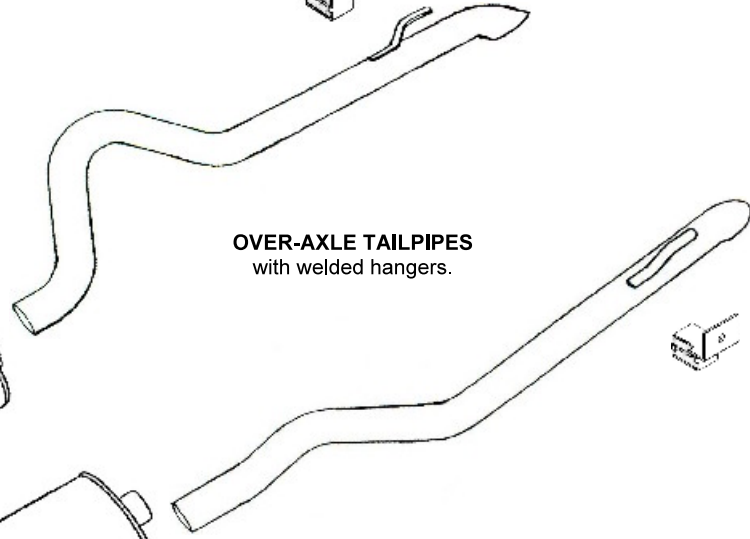
- 3.0" system – part # B30MAX-S62

### MAX WEDGE MID-PIPE ASSEMBLY

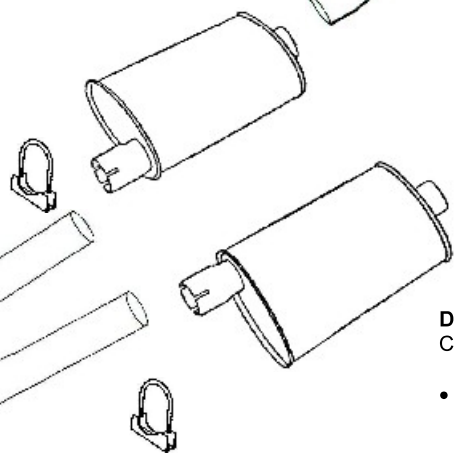
- Head pipes from the factory manifolds
  - Max Wedge style H-pipe w/ a 2" Crossover pipe
  - 1/2" 4-Bolt Flanges
  - (2) 2" 3/8" Heavy-Duty U-bolt Clamps
  - (4) 3" 3/8" Heavy-Duty U-bolt Clamps
  - (4) 1/16" 4-Bolt Gaskets w/ 3" I.D. hole
  - (2) 1/2" 4-Bolt Blocking Plates
- Includes hardware necessary for the installation.



- O.E. STYLE TAILPIPE HANGER RECEPTACLES**  
 Included with Tailpipes.
- Includes Hardware
  - Part # TPH-AB2530



**OVER-AXLE TAILPIPES**  
 with welded hangers.

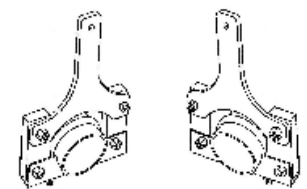


**DYNAMAX SUPER TURBO MUFFLERS**  
 Comes standard with TTI systems.

- 3.0" - Overall length 23" / Part # 17793



- MUFFLER BODY BRACKETS**  
 Included with system.
- Includes Hardware
  - Part # E2530BB-2



Passenger-side    Driver-side

- MUFFLER HANGERS**  
 Included with system.
- 2.5" Part # MH-B25HA
  - 3.0" Part # MH-B30HA