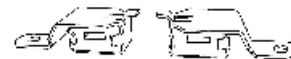




Tube Technologies Inc.
 1555 Consumer Circle
 Corona, CA 92880
 (951) 371-4878
www.ttiexhaust.com

O.E. STYLE TAILPIPE HANGER RECEPTACLES

- Included with Tailpipes.
- Includes Hardware
 - Part # TPH-B2530



1968-1970 "B"-body Exhaust Systems

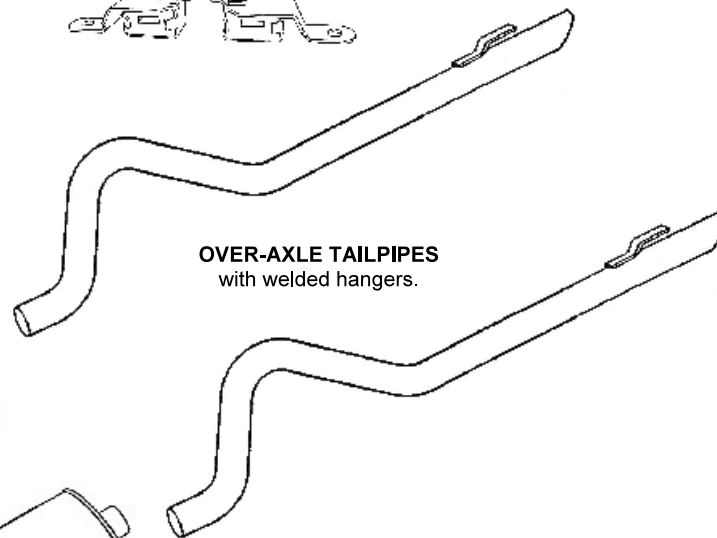
- 2.5" system – part # B25MWM6870
- 3.0" system – part # B30MWM6870

DYNOMAX SUPER TURBO MUFFLERS

Comes standard with TTI systems.

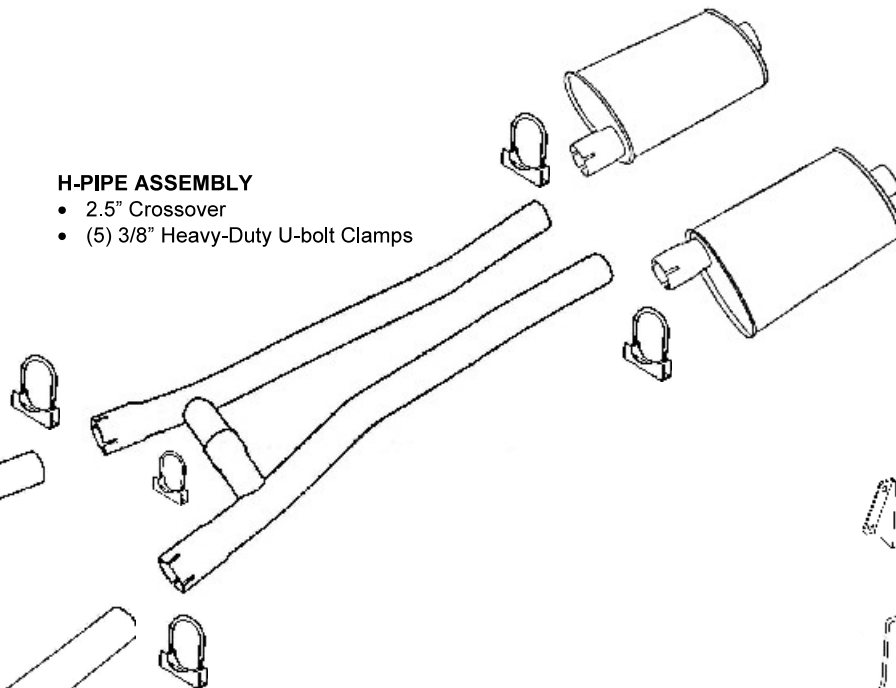
- 2.5" - Overall length 25.5" / Part # 17748
- 3.0" - Overall length 27" / Part # 17769

OVER-AXLE TAILPIPES
with welded hangers.



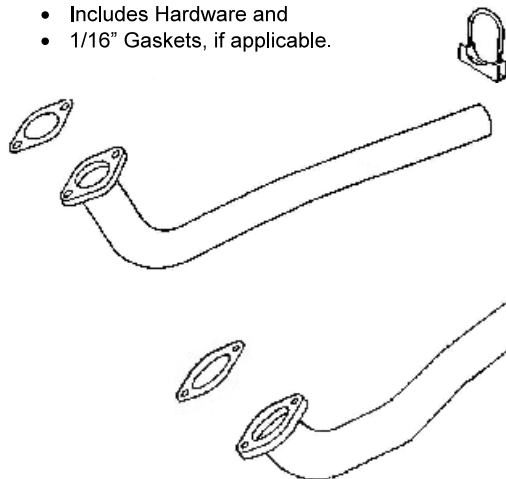
H-PIPE ASSEMBLY

- 2.5" Crossover
- (5) 3/8" Heavy-Duty U-bolt Clamps



EXHAUST PIPES

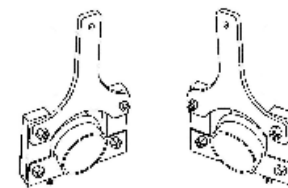
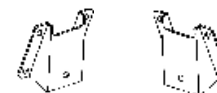
- 1/2" Flanges
- Includes Hardware and
- 1/16" Gaskets, if applicable.



MUFFLER BODY BRACKETS

If your application is not equipped with Muffler Body Brackets, a set will be required.

- Sold separately - Part # E2530BB-2



Passenger-side Driver-side

MUFFLER HANGERS

Included with system.

- 2.5" Part # MH-B25HA
- 3.0" Part # MH-B30HA