



TTI Performance Exhaust and Headers  
Tube Technologies, Inc.  
Corona, California 92880-1726  
Phone (951) 371-4878

[www.ttiexhaust.com](http://www.ttiexhaust.com)

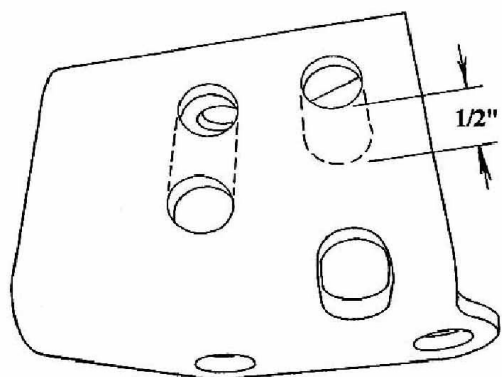
Sheet #704 / Footnote #24

## 65-66 C-BODY 318 POLY ENGINE MOUNT MODIFICATION

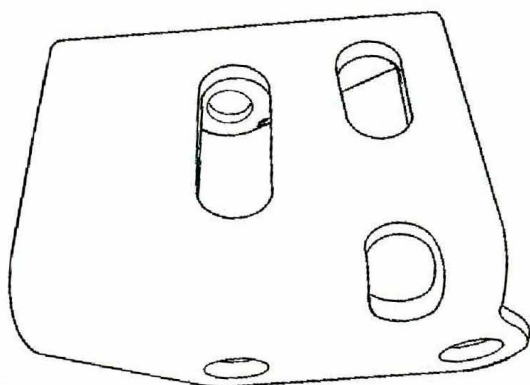
Modification will be required to the engine mounts if the stock pitman arm or idler arm interferes with the header tube.

By slotting holes 1/2 an inch, the engine can be moved toward the rear of the vehicle to achieve clearance of the header tube. The transmission mounts are normally slotted from the factory, but if they are not it will be necessary to slot the mounting holes as well.

Drivers-side

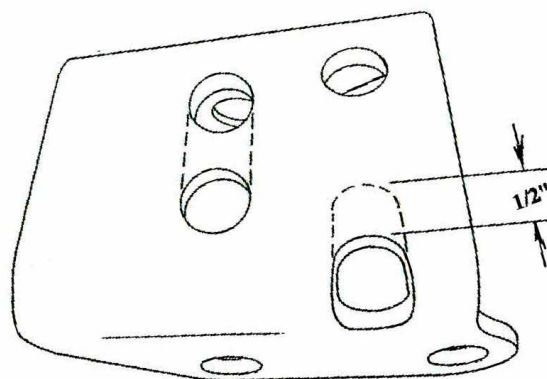


Un-Modified Mount

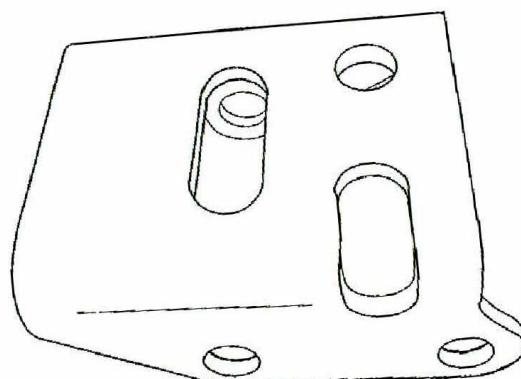


Modified Mount

Passenger-side



Un-Modified Mount



Modified Mount