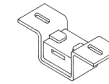




Tube Technologies Inc.  
1555 Consumer Circle  
Corona, CA 92880  
(951) 371-4878  
[www.ttiexhaust.com](http://www.ttiexhaust.com)

**O.E. STYLE TAILPIPE HANGER RECEPTACLES**  
Included with Tailpipes.

- Includes Hardware
- Part # TPH-E2530



**1970-1974 E-body Turndown Exhaust System**

- 2.5+system . part # XE25HN-TD
- 3.0+system . part # XE30HN-TD

**MUFFLERS**

Opting to use mufflers other than Dynomax Super Turbos may require modification to the muffler slips, (cutting & welding) for proper fit and alignment due to the muffler case length and width differences.

System designed using Dynomax Super Turbo mufflers

- 2.5+- Overall length 18.5+ / Part # 17733
- 3.0+- Overall length 23+ / Part # 17793

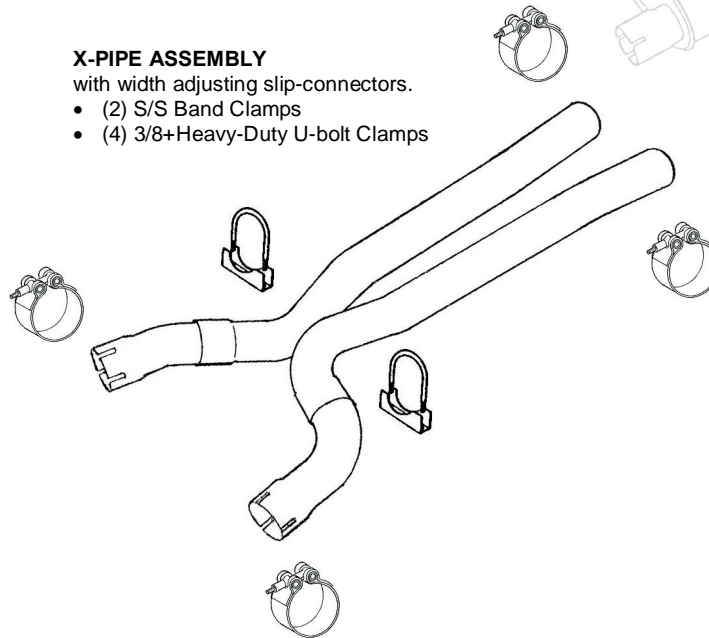
**OVER-AXLE TAILPIPES**  
with welded hangers.



**X-PIPE ASSEMBLY**

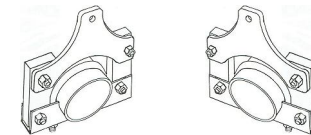
with width adjusting slip-connectors.

- (2) S/S Band Clamps
- (4) 3/8+Heavy-Duty U-bolt Clamps



**MUFFLER BODY BRACKETS**  
If your application is not equipped with Muffler Body Brackets, a set will be required.

- Sold separately - Part # E2530BB-2



Passenger-side

Driver-side

**MUFFLER HANGERS**

Included with system.

- 2.5+Part # MH-E25HA
- 3.0+Part # MH-E30HA