



Tube Technologies, Inc.  
 1555 Consumer Circle • Corona, CA 92878  
 951-371-4878 • Fax 951-371-6143 • www.ttiexhaust.com

# 1962 B-BODY MAX-WEDGE EXHAUST SYSTEM

FROM MAX-WEDGE MANIFOLDS-BACK

PART NO: **B30MAX-NM62** (Mufflers not included)

SOLD TO:

SHIP TO:

ORDER NO:

DATE: 9/18/2020

System designed using...

### DYNAMAX SUPER TURBO MUFFLERS

3.0" #17793, 23.0" overall length

(!) Using other mufflers will require modification due to case & length differences.

- X -

### 3.0" MID-SECTION 5-PC ASSEMBLY

- Left & Right Head-pipes
- 2.0" Crossover-pipe
- Left & Right Intermediate-pipes

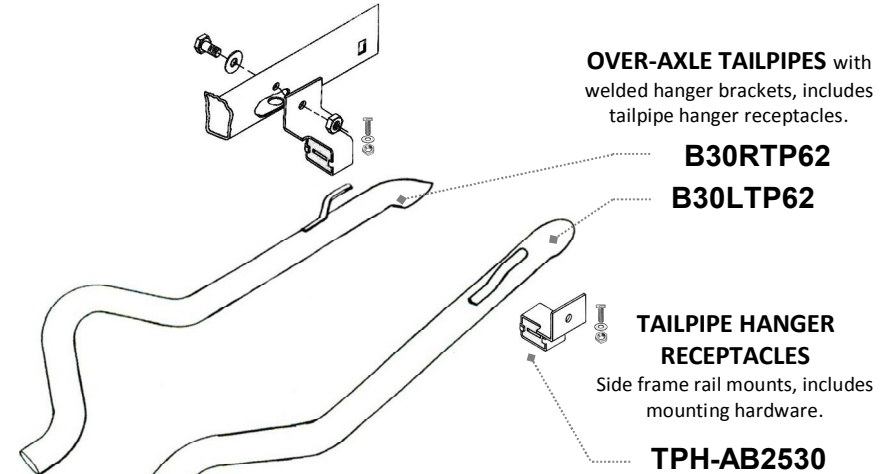
**2.0" CROSSOVER-PIPE**  
 Includes (2) 2.0" U-bolt clamps  
**MW20CP**

3/8" heavy duty  
 U-bolt clamps

**3.0" INTERMEDIATE-PIPES**  
 Includes (4) 3.0" U-bolt clamps  
**MW30MP-R**  
**MW30MP-L**

1/2" thick laser-cut flanges  
 1/16" thick gaskets  
 1/2" 4-bolt blocking plates

**3.0" MID-SECTION HEAD-PIPE**  
 Includes (4) 4-bolt gaskets, (2) 4-bolt blocking plates, (16) bolts, washers & nuts.  
**MW30EP-R**  
**MW30EP-L**



**MUFFLER HANGER BODY BRACKETS**  
 Includes mounting hardware.  
 See installation instructions for mounting dimensions.

**E2530BB (set)**

**MUFFLER HANGERS**  
 Includes mounting hardware.  
 Mounting Note: Muffler hangers mount with the offsets towards the driveshaft.

**3.0" MH-B30HA**

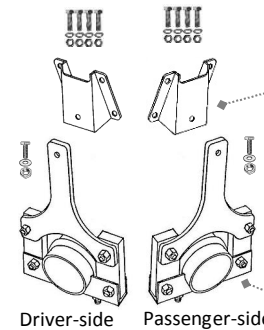


Diagram for packaging purpose. (Not to scale)